



IMM100K Immersion Temperature Sensor

D-Series Controls
PurpleSwift Software cc
Tel / Fax: +27 21 761 8264
Email: controls@purpleswift.com

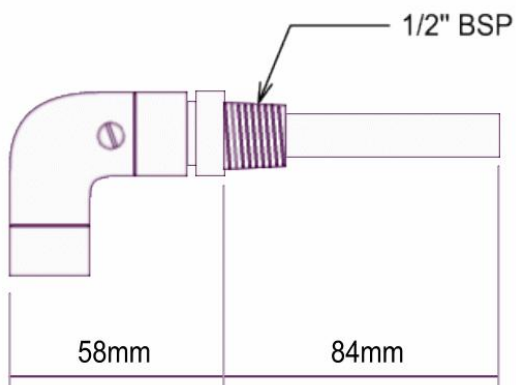


The **IMM100k** is fabricated with a 100k NTC thermistor sensor element. The sensor is housed in a stainless steel well with a 1/2" BSP thread.

Technical Data

- 100k NTC Thermistor Sensor element.
- Tolerance of less than 1% on temperature resistance values.
- High quality 316 stainless steel well.
- See Temperature resistance table below.

Dimensions



Temperature vs Resistance Table

° C	KΩ	° C	KΩ	° C	KΩ	° C	KΩ
-30	1623.095	4	261.928	38	57.997	72	16.427
-29	1529.104	5	249.441	39	55.696	73	15.874
-28	1441.139	6	237.72	40	53.518	74	15.343
-27	1358.777	7	226.611	41	51.416	75	14.847
-26	1281.627	8	216.08	42	49.406	76	14.356
-25	1218.898	9	206.093	43	47.484	77	13.884
-24	1150.366	10	196.695	44	45.645	78	13.429
-23	1086.102	11	187.697	45	43.927	79	12.991
-22	1025.815	12	179.157	46	42.243	80	12.581
-21	969.236	13	171.049	47	40.631	81	12.174
-20	914.933	14	163.349	48	39.088	82	11.782
-19	865.133	15	156.035	49	37.61	83	11.405
-18	818.338	16	149.085	50	36.233	84	11.041
-17	774.349	17	142.48	51	34.876	85	10.702
-16	732.983	18	136.2	52	33.576	86	10.362
-15	694.957	19	130.228	53	32.33	87	10.034
-14	658.262	20	124.529	54	31.136	88	9.717
-13	623.717	21	119.129	55	30.001	89	9.412
-12	591.183	22	113.989	56	28.908	90	9.151
-11	560.532	23	109.096	57	27.86	91	8.868
-10	531.798	24	104.437	58	26.854	92	8.595
-9	504.55	25	100	59	25.89	93	8.332
-8	478.852	26	95.772	60	24.994	94	8.077
-7	454.608	27	91.744	61	24.105	95	7.846
-6	431.726	28	87.904	62	23.252	96	7.608
-5	410.37	29	84.243	63	22.433	97	7.379
-4	389.947	30	80.803	64	21.645	98	7.158
-3	370.652	31	77.48	65	20.93	99	6.944
-2	352.418	32	74.31	66	20.203	100	6.753
-1	335.18	33	71.284	67	19.505	101	6.553
0	318.806	34	68.395	68	18.833	102	6.359
1	303.392	35	65.563	69	18.188	103	6.173
2	288.807	36	62.925	70	17.598	104	5.992
3	275.001	37	60.405	71	17.001	105	5.826